

NOTES TO G.C.

1. Give special attention to any obstruction to ceiling drive, electrical conduit, etc.
2. One steel "C-channel" (hanger) will be needed & installed by other trades to provide steel support to be "C-channel" hanger.

Notes & Specifications:

Notes & Specifications:

Notes & Specifications:

Notes & Specifications:

Notes & Specifications:

Notes & Specifications:

Notes & Specifications:

Notes & Specifications:

Notes & Specifications:

Notes & Specifications:

Notes & Specifications:

Notes & Specifications:

Notes & Specifications:

Notes & Specifications:

Notes & Specifications:

Notes & Specifications:

Notes & Specifications:

Notes & Specifications:

Notes & Specifications:

Notes & Specifications:

Notes & Specifications:

Notes & Specifications:

Notes & Specifications:

Notes & Specifications:

Notes & Specifications:

Notes & Specifications:

Notes & Specifications:

Notes & Specifications:

Notes & Specifications:

Notes & Specifications:

Notes & Specifications:

Notes & Specifications:

Notes & Specifications:

Notes & Specifications:

Notes & Specifications:

Notes & Specifications:

Notes & Specifications:

Notes & Specifications:

Notes & Specifications:

Notes & Specifications:

Notes & Specifications:

Notes & Specifications:

Notes & Specifications:

Notes & Specifications:

Notes & Specifications:

Notes & Specifications:

Notes & Specifications:

Notes & Specifications:

Notes & Specifications:

Notes & Specifications:

Notes & Specifications:

Notes & Specifications:

Notes & Specifications:

Notes & Specifications:

Notes & Specifications:

Notes & Specifications:

Notes & Specifications:

Notes & Specifications:

Notes & Specifications:

Notes & Specifications:

Notes & Specifications:

Notes & Specifications:

Notes & Specifications:

Notes & Specifications:

Notes & Specifications:

Notes & Specifications:

Notes & Specifications:

Notes & Specifications:

Notes & Specifications:

Notes & Specifications:

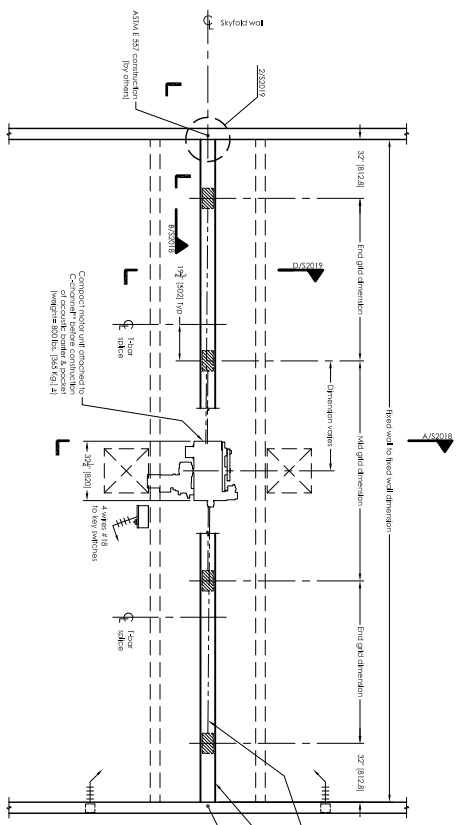
Notes & Specifications:

Notes & Specifications:

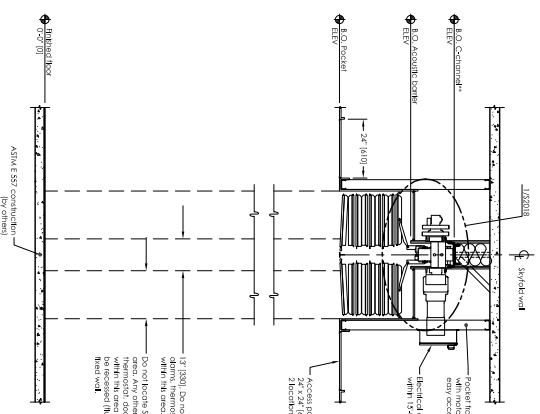
Notes & Specifications:

Notes & Specifications:

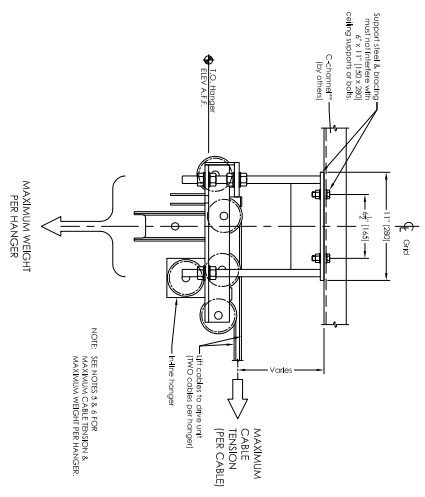
Notes & Specifications:



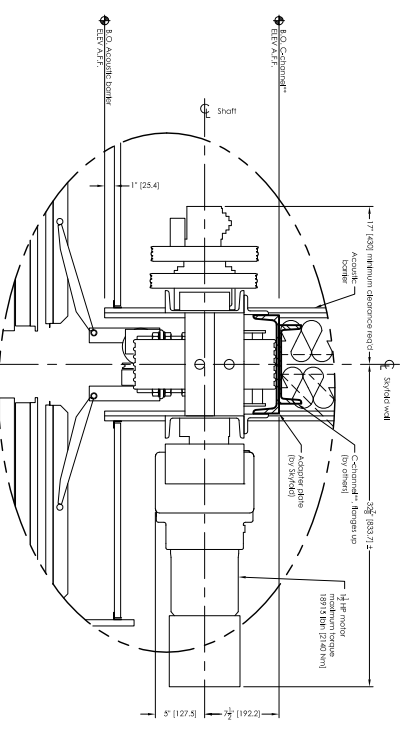
PLAN
SCALE: 3/8" = 1'-0"



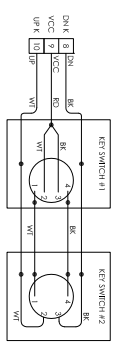
A SECTION - WALL UP
SCALE: 1/2" = 1'-0"



B SECTION - LOADS @ HANGERS
SCALE: 3/8" = 1'-0"



1 DETAIL - SKYFOLD MECHANICAL
SCALE: 3/8" = 1'-0"



WIRING DIAGRAM FOR THE HANGERS, WIRE CONNECTION

THE DRAWING SHOWN AS A GUIDE IN ALL CASES. THE CONTRACTOR SHALL VERIFY ALL DIMENSIONS AND REQUIREMENTS FOR ALL MATERIALS AND COMPONENTS.

LEGEND

- KEY SWITCH CONTROL
- CEILING SUPPORT AND HANGER
- CEILING ACCESS PANEL

MECHANICAL & ELECTRICAL DETAILS

TYPICAL ODD SKYFOLD WALL
X @ X-X' [XXXX] X
X-X' [XXXX] B.O. Pocket
Large capacity compact drive unit

