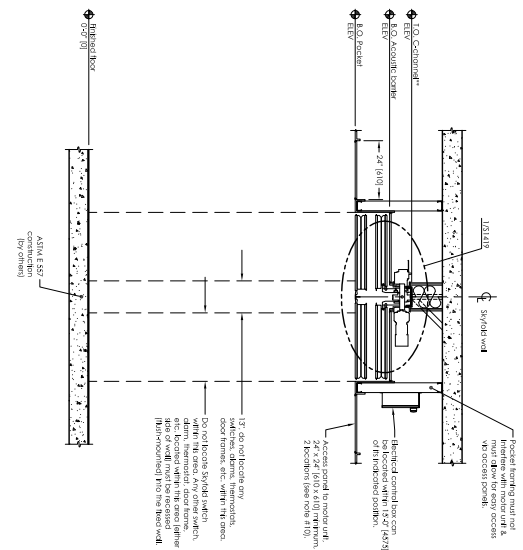
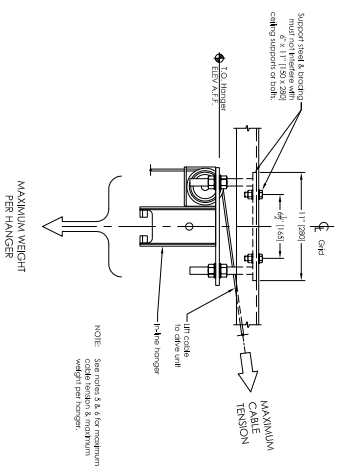


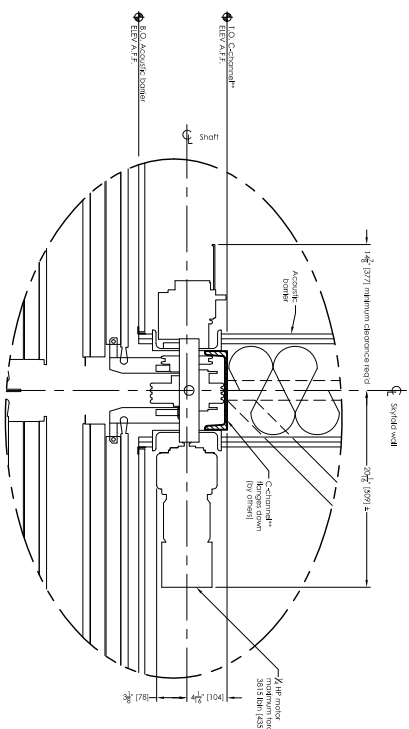
PLAN  
SCALE: 3/8" = 1"



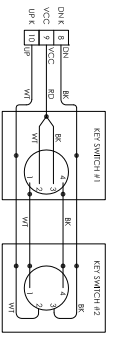
A SECTION - WALL UP  
SCALE: 1/2" = 1"



B SECTION - LOADS @ HANGERS  
SCALE: 3/8" = 1"



1 DETAIL - SKYFOLD MECHANICAL  
SCALE: 3/8" = 1"



WIRING DIAGRAM FOR SWITCH SYSTEMS  
SCALE: NONE

**NOTES TO G.C.**

1. Give special attention to any construction to ceiling deck, electrical conduit, etc.
2. One steel "centerline" hanger steel to be installed & labeled by owner. Alternate steel support to be "C"-channel design.
3. Hanger steel to be installed in accordance with notes to G.C.
4. Steel hanger steel to be installed in accordance with notes to G.C.
5. Approximate weight of wall: 3000 lbs. [XXXX lbs. (XXXX kg)]
6. Maximum cable weight: 3000 lbs. [XXXX lbs. (XXXX kg)]
7. Special details: 200 VAC, 50/60 Hz.
8. POWER WIRE BE AVAILABLE AT THE INSTALLATION.
9. THE ELECTRICAL CONTROL BOX IS TO BE INSTALLED BY THE ELECTRICAL CONTRACTOR.
10. The electrical control box is to be installed in accordance with notes to G.C.
11. All electrical construction (system, suspended ceiling, framing, etc.) to be by others.
12. Dimensions in ( ) are in millimeters (omit unless noted otherwise).

**LEGEND**

- KEY SWITCH CONTROL
- CEILING SUPPORT AND HANGER
- CEILING ACCESS PANEL

NOTE:  
SEE DIMENSIONS 801 (7/24) & 801 (7/25) FOR 11'-0" (3305 mm) MAXIMUM HANGER SPACING TO 810 (MAXIMUM) TONGUE WALL CONNECTIONS.  
SEE DIMENSIONS 801 (8/24) & 801 (8/27) FOR 17'-0" (5181 mm) MAXIMUM HANGER SPACING TO 2115 (MAXIMUM) TONGUE WALL CONNECTIONS.

THE SKYFOLD II HANGERS & CEILING WALLS SHALL BE SPECIFICALLY DESIGNED FOR EACH PROJECT AND REQUIRED FOR FINAL BUILD CONDITIONS.

**TYPICAL SKYFOLD WALL**  
24-0" min to 36-0" max  
[731.5 min to 10973 max]  
X 9'-0" max [2745 max] R.O. Pocket  
MICRO DRIVE UNIT

**MECHANICAL & ELECTRICAL DETAILS**

