

**NOTES TO G.C.**

1. Gens should refer to any construction to ceiling details, electrical controls, etc.
2. One steel C-channel\* (flange down) to be installed & welded to other. Alternate steel support to be C-channel angle/pipe.
3. \*C-channel angle/pipe: Inotech & Sison America = C8X11.2 (C200 x 17) AWP = C200 x 85
4. Attachment point of C-channel\* to structure to be designed by others & matching profiles with Skyfold
5. Structural steel section to be sized by others with reference with motor mounts or ceiling supports.
6. Approximate weight of wall: XXXXX lbs. [XXXX Kg]
7. Maximum weight per trapeze: XXXXX lbs. [XXXX Kg]
8. Maximum cable tension: XXXXX lbs. [XXXX Kg]
9. Spindle diameter: 208 NAC, 308 60 lbs.
10. \*POWER WIRE BE AVAILABLE AT THE INSTALLATION
11. THE ELECTRICAL CONTROL BOX IS TO BE INSTALLED BY THE ELECTRICAL CONTRACTOR.
12. \*POWER WIRE TO BE AVAILABLE AT THE INSTALLATION

1. Gens should refer to any construction to ceiling details, electrical controls, etc.
2. One steel C-channel\* (flange down) to be installed & welded to other. Alternate steel support to be C-channel angle/pipe.
3. \*C-channel angle/pipe: Inotech & Sison America = C8X11.2 (C200 x 17) AWP = C200 x 85
4. Attachment point of C-channel\* to structure to be designed by others & matching profiles with Skyfold
5. Structural steel section to be sized by others with reference with motor mounts or ceiling supports.
6. Approximate weight of wall: XXXXX lbs. [XXXX Kg]
7. Maximum weight per trapeze: XXXXX lbs. [XXXX Kg]
8. Maximum cable tension: XXXXX lbs. [XXXX Kg]
9. Spindle diameter: 208 NAC, 308 60 lbs.
10. \*POWER WIRE BE AVAILABLE AT THE INSTALLATION
11. THE ELECTRICAL CONTROL BOX IS TO BE INSTALLED BY THE ELECTRICAL CONTRACTOR.
12. \*POWER WIRE TO BE AVAILABLE AT THE INSTALLATION

1. Gens should refer to any construction to ceiling details, electrical controls, etc.
2. One steel C-channel\* (flange down) to be installed & welded to other. Alternate steel support to be C-channel angle/pipe.
3. \*C-channel angle/pipe: Inotech & Sison America = C8X11.2 (C200 x 17) AWP = C200 x 85
4. Attachment point of C-channel\* to structure to be designed by others & matching profiles with Skyfold
5. Structural steel section to be sized by others with reference with motor mounts or ceiling supports.
6. Approximate weight of wall: XXXXX lbs. [XXXX Kg]
7. Maximum weight per trapeze: XXXXX lbs. [XXXX Kg]
8. Maximum cable tension: XXXXX lbs. [XXXX Kg]
9. Spindle diameter: 208 NAC, 308 60 lbs.
10. \*POWER WIRE BE AVAILABLE AT THE INSTALLATION
11. THE ELECTRICAL CONTROL BOX IS TO BE INSTALLED BY THE ELECTRICAL CONTRACTOR.
12. \*POWER WIRE TO BE AVAILABLE AT THE INSTALLATION

**LEGEND**



NOTE:  
SEE DRAWINGS S811729 & S811738 FOR 17'-0" (5180 mm) TO 24'-0" (7315 mm) MAXIMUM CEILING HEIGHTS TO S480 MAXIMUM CEILING CONDITIONS.  
SEE DRAWINGS S1419 & S1420 FOR 24'-0" MAXIMUM TO 30'-0" MAXIMUM CEILING HEIGHTS TO S480 MAXIMUM CEILING CONDITIONS.  
SEE DRAWINGS S1419 & S1420 FOR 24'-0" MAXIMUM TO 30'-0" MAXIMUM CEILING HEIGHTS TO S480 MAXIMUM CEILING CONDITIONS.

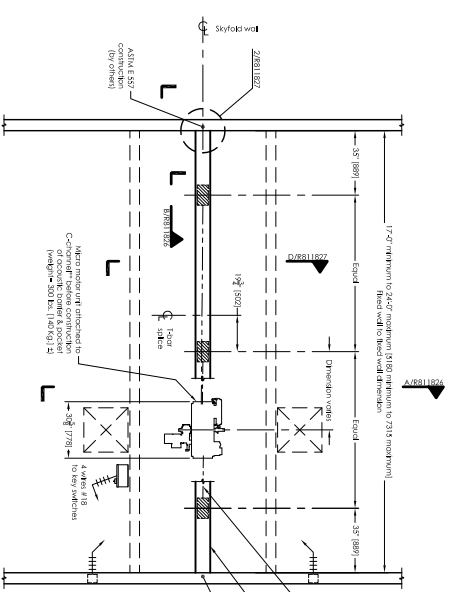
NOTE:  
SEE DRAWINGS S811729 & S811738 FOR 17'-0" (5180 mm) TO 24'-0" (7315 mm) MAXIMUM CEILING HEIGHTS TO S480 MAXIMUM CEILING CONDITIONS.  
SEE DRAWINGS S1419 & S1420 FOR 24'-0" MAXIMUM TO 30'-0" MAXIMUM CEILING HEIGHTS TO S480 MAXIMUM CEILING CONDITIONS.

**TYPICAL SKYFOLD WALL**

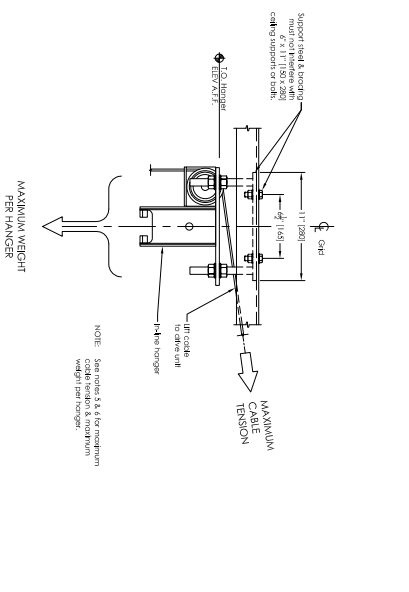
17'-0" min to 24'-0" max  
[5180 mm to 7315 mm]  
X 9'-0" max [2745 mm] B.O. Pocket  
MICRO DRIVE UNIT

**MECHANICAL & ELECTRICAL DETAILS**

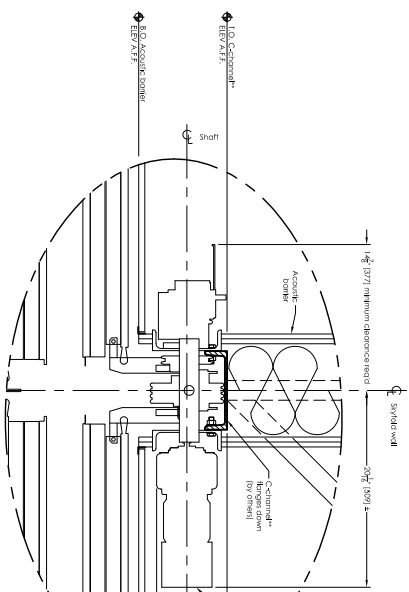
SEE DRAWINGS S811729 & S811738 FOR 17'-0" (5180 mm) TO 24'-0" (7315 mm) MAXIMUM CEILING HEIGHTS TO S480 MAXIMUM CEILING CONDITIONS.  
SEE DRAWINGS S1419 & S1420 FOR 24'-0" MAXIMUM TO 30'-0" MAXIMUM CEILING HEIGHTS TO S480 MAXIMUM CEILING CONDITIONS.



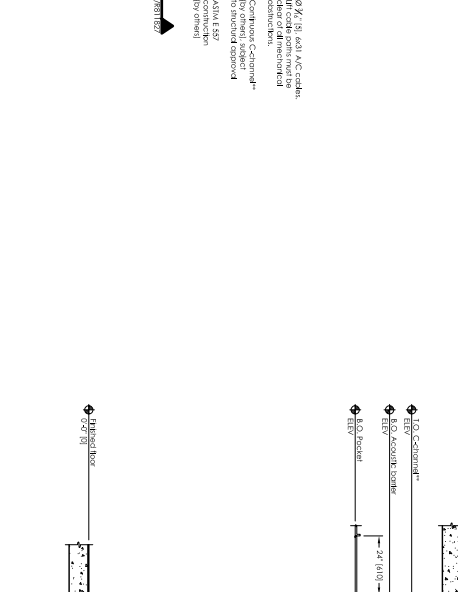
**PLAN**  
SCALE: 3/4" = 1'-0"



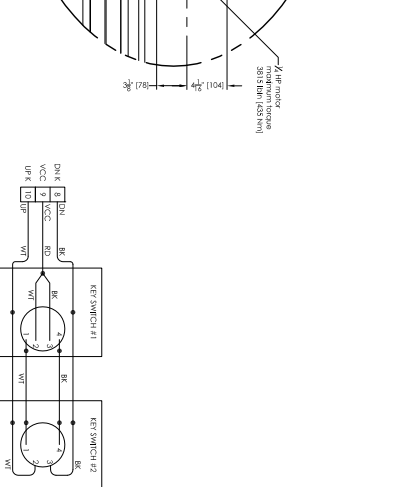
**B | SECTION - LOADS @ HANGERS**  
811826 SCALE: 3/4" = 1'-0"



**1 | DETAIL - SKYFOLD MECHANICAL**  
811826 SCALE: 3/4" = 1'-0"



**A | SECTION - WALL UP**  
811826 SCALE: 3/4" = 1'-0"



**WIRING DIAGRAM FOR THE SWITCHES AND MOTOR**  
SCALE: NONE

