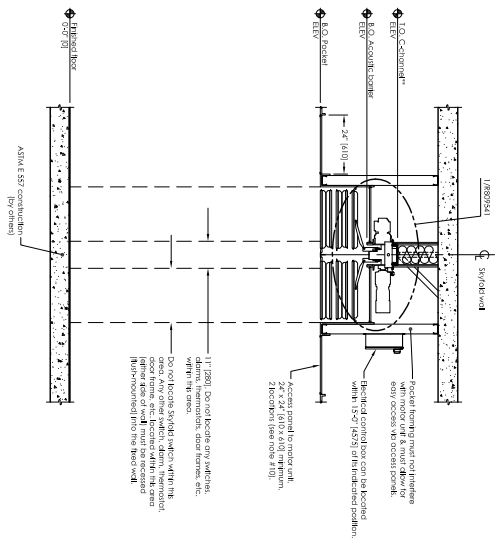
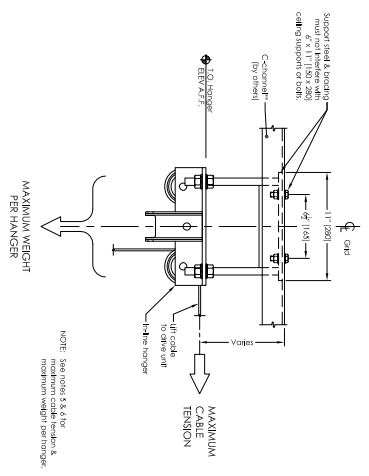


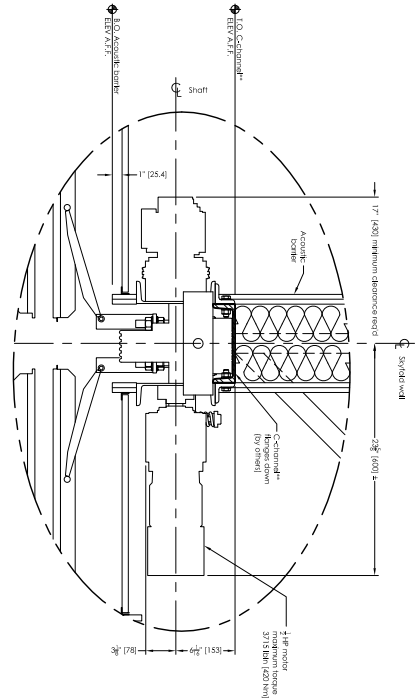
PLAN
SCALE: 1/2" = 1'-0"



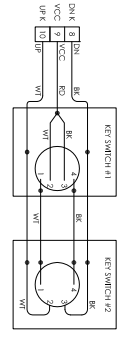
A SECTION - WALL UP
SCALE: 1/2" = 1'-0"



B | SECTION - LOADS @ HANGERS
SCALE: 1/2" = 1'-0"



1 | DETAIL - SKYFOLD MECHANICAL
SCALE: 1/2" = 1'-0"



WIRING DIAGRAM FOR REV SWITCHES IN SERIES
SCALE: NONE

NOTES TO G.C.

1. Give special attention to any construction to ceiling detail, electrical conduit, etc.
2. One (1) inch C-Channel* (Aluminum) should be installed above the cables. Alternate steel support to be C-Channel only.
3. Note: A.S.I. America = C-200 x 75
Europe = C200 x 75
A.A.P. = C200 x 85
4. Attachment point of C-Channel* to structure to be designed by others. Minimum distance with Skyfold structural member 1.5 times by height and height with minor members or ceiling supports.
5. Approximate weight of wall: XXXXX lbs. [XXXX Kg]
6. Maximum cable tension: XXXXX lbs. [XXXX Kg]
7. Spindle diameter: 208 NAC 30.60 lbs. [XXXX Kg]
8. *POWER WOULD BE AVAILABLE AT THIS CONSTRUCTION THE ELECTRICAL CONTROL BOX. IT TO BE INSTALLED BY THE ELECTRICAL CONTRACTOR.
9. *POWER WOULD BE AVAILABLE AT THIS CONSTRUCTION THE ELECTRICAL CONTROL BOX. IT TO BE INSTALLED BY THE ELECTRICAL CONTRACTOR.
10. Spindle diameter: two 24" x 24" (610 x 610) (min) must be provided for receiving ceiling drive by loading required. Minimum ceiling suspension cable lbs. [XXXX Kg]
11. All local construction (gypsum, suspended ceiling, framing, etc.) to be by others.
12. Dimension () use in millimeters [mm] unless noted otherwise.

LEGEND

- KEY SWITCH CONTROL
- CEILING SUPPORT AND HANGER
- CEILING ACCESS PANEL

THE DRAWING IS BINDER AS A GUIDE. IN ALL CASES, THE CONTRACTOR SHALL BE RESPONSIBLE FOR VERIFYING ALL DIMENSIONS AND REQUIREMENTS FOR FINAL BIDDING CONDITIONS.

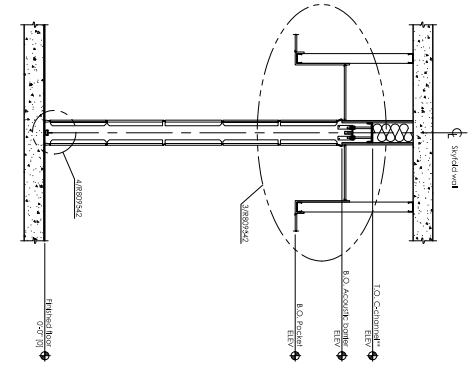
MECHANICAL & ELECTRICAL DETAILS

TYPICAL ODD SKYFOLD WALL
X @ "X-X" [XXXX] x
X-X" [XXXX] B.O. Pocket
Compact drive unit

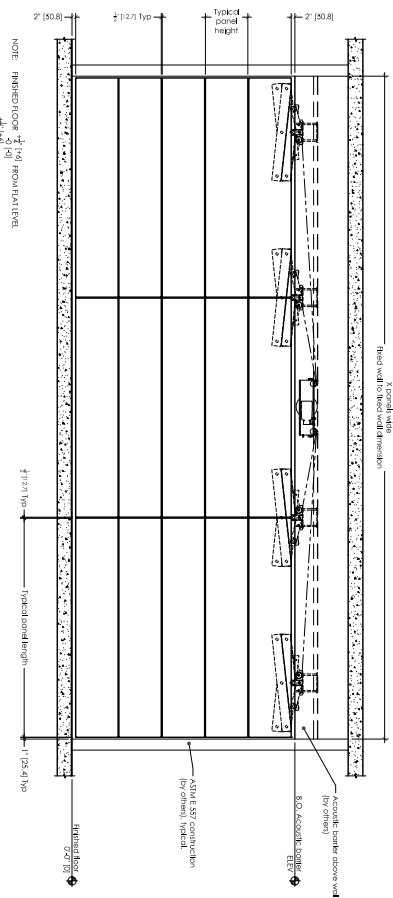
NOTES TO G.C.

1. One sketch option to:
 - Any obstruction to ceiling pocket & cable (conduit, etc.)
 - Clearance of fixed walls & finished floor
 - Reproducible calling by top of pocket
2. SIC (type) - 51 (per ASIA 201)
3. Panel type: XXXXXXXXXXXXXXXXXXXXXXXXXXXXXXX
4. Substrate type: 2x25" (51.2x127) (1/2" thick) - access panels to acoustic call to direct location of top of pocket & suspension of system
5. Acoustic construction (system, suspended ceiling, framing etc.) by owner
6. Dimension in [] can be millimeter (omit unless noted otherwise)

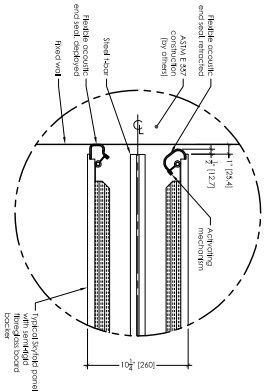
*C-Channel dimensions:
North & South America = C24 x 11.5 (C200 x 11)
Europe = C200 x 7.5
Asia = C200 x 8.0



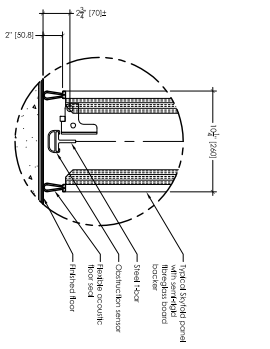
D | SECTION - WALL DOWN
8809542 | SCALE: 1/2" = 1'-0"



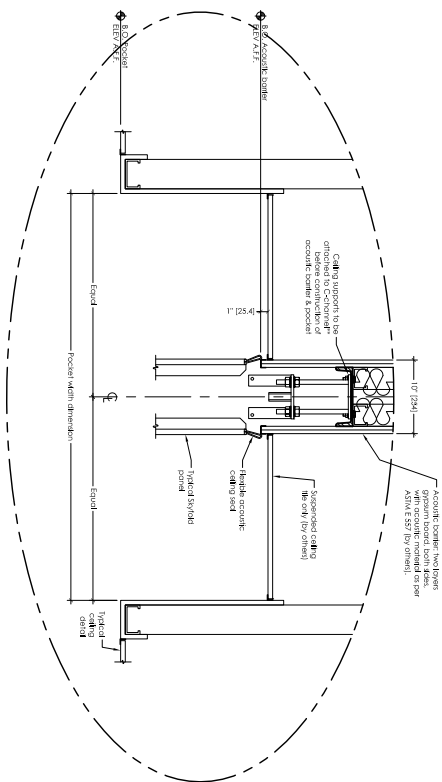
C | ELEVATION - WALL DOWN
8809542 | SCALE: 3/8" = 1'-0"



2 | END SEAL DETAIL
8809542 | SCALE: 2" = 1'-0"



4 | FLOOR SEAL DETAIL
8809542 | SCALE: 2" = 1'-0"



3 | POCKET DETAIL
8809542 | SCALE: 1 1/2" = 1'-0"

THE DRAWING IS BUILT AS A GUIDE IN ALL CASES AND IS NOT TO BE USED FOR MANUFACTURING. ANY REQUIREMENTS FOR MANUFACTURING DIMENSIONS.

TYPICAL ODD SKYFOLD WALL
X @ X'-X" [XXXX] x
X'-X" [XXXX] R.O. Pocket
Compact drive unit